

TECORP

www.tecorp-group.com.tw

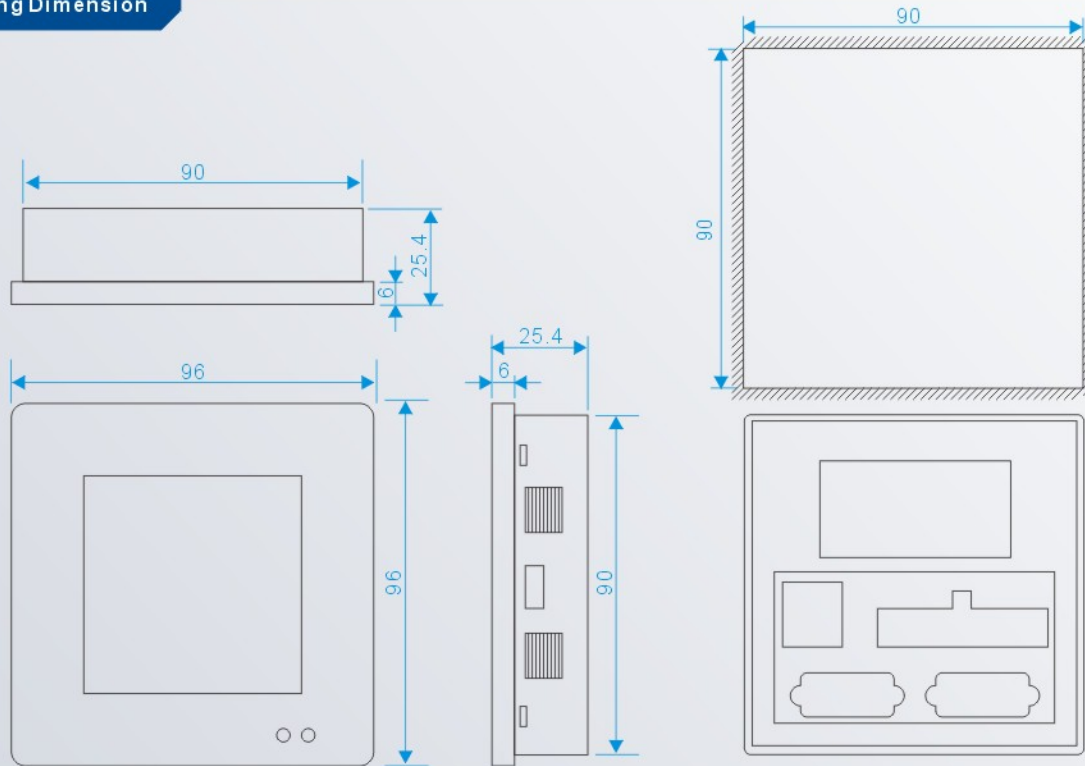


THE BRAND YOU CAN RELY ON

***SP Series
Human Machine Interface***



Mounting Dimension

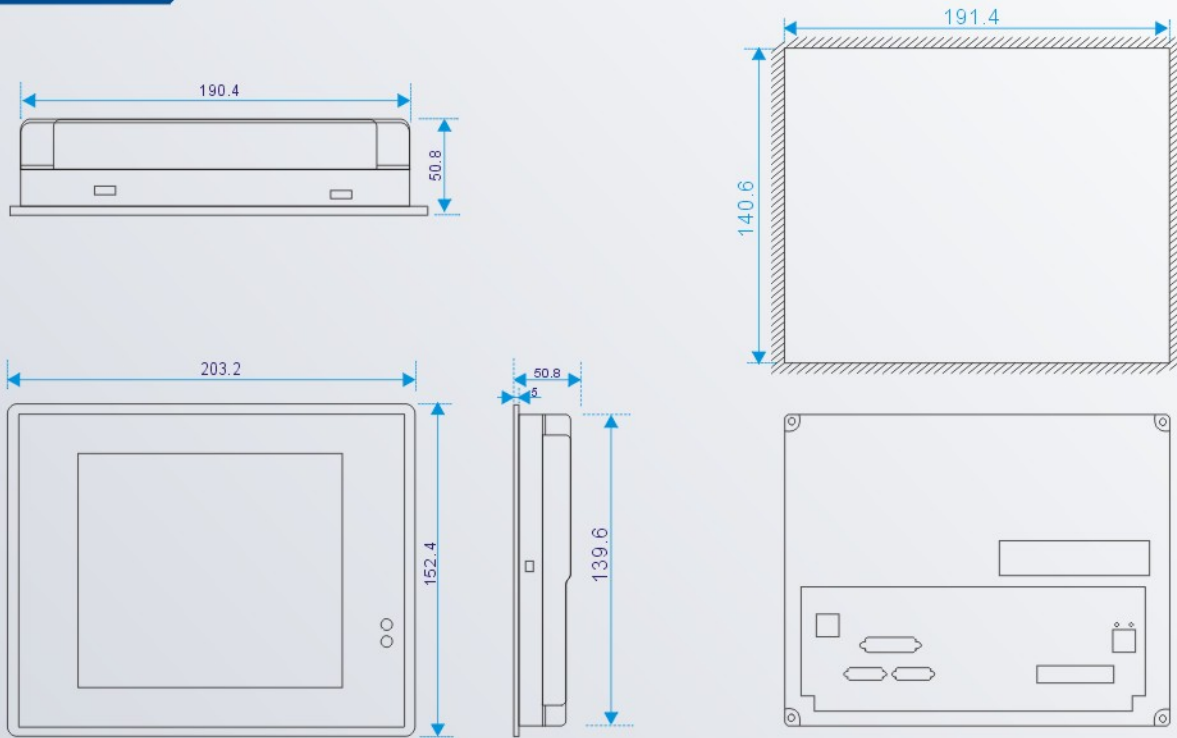


Unit: mm

Specification		Display Device	
CPU Type	32 Bits RISC 66MHz	Display Type	STN
Memory(Planned/All)	1536K / 2048K	Screen	3.3 inches
Perpetual Calendar	Built-in (Rechargeable Lithium Battery)	Display Colors	16 shades of gray
Communication Modbus	COM1 (RS232), COM2 (RS422/RS485)	Display Resolution	160X160
Touch Screen	4 Line Resistance	Back Light	LED
Sound Output	Buzzer	Brightness Adjust	Digital (0-100)
		Contrast Adjust	Digital (0-100)
Electric Specification		Environment	
Anti-static electricity Voltage	Contact Discharge: -4KV~+4KV (IEC61000-4-2 Level 2) Non-contact Discharge: -15KV~+15KV (IEC61000-4-2 Level 4) DC 10V ~ 30 V	Working Temperature	0°C~45°C
Power	Under 3W	Storage Temperature	-20°C ~ 60°C
Outline Dimension		Humidity	20 ~ 85%RH (No Solidify)
External Dimension (mm)	96x96x25.4	Vibration Endurance	10Hz~25Hz(Directions of X,Y,Z last 30 mins for 0.5mm)
Cut-out Dimension (mm)	90x90	Waterproof Level of Front Panel	IP5/NEMA4
Weight	0.18kg	Cooling Method	Air Convection Cooling



Mounting Dimension

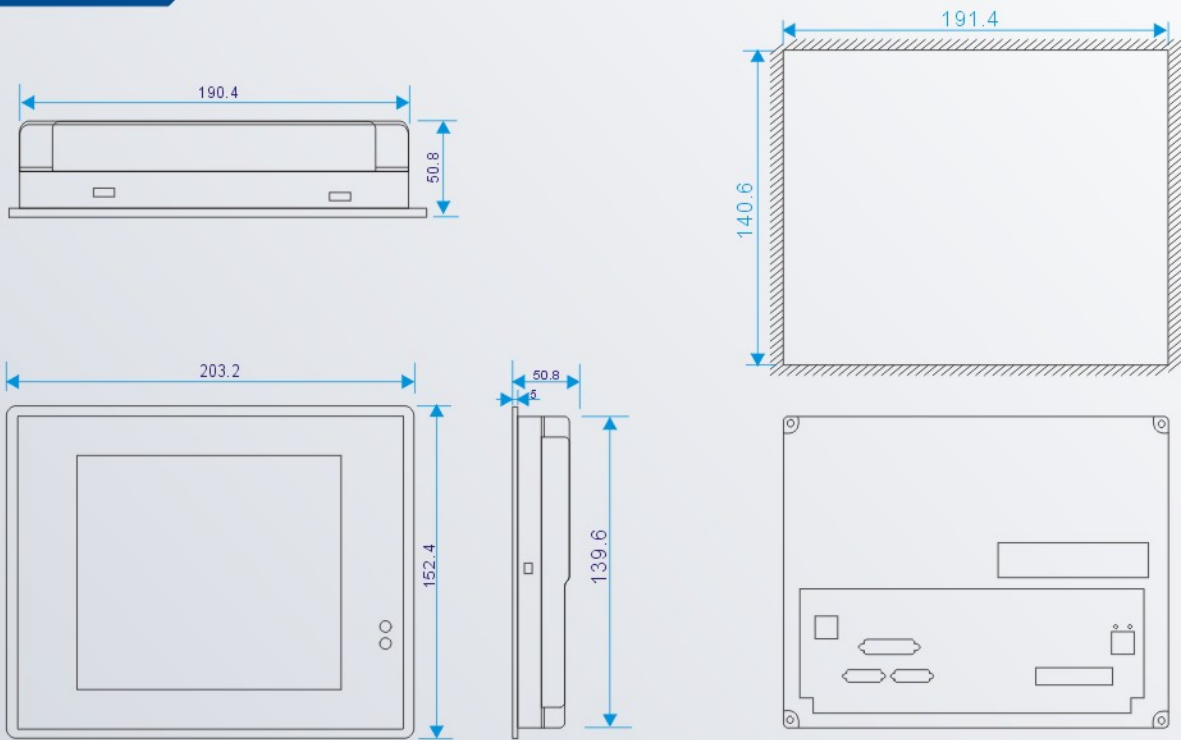


Unit: mm

Specification		Display Device	
CPU Type	32 Bits RISC 66MHz	Display Type	STN
Memory(Planned/All)	1536K/2084K	Screen	5.7 inches
Perpetual Calendar	Built-in (Rechargeable Lithium Battery)	Display Colors	16 shades of gray
Communication Modbus	COM1(RS232/RS422/RS485 Switch Automatically). COM2(RS232/RS422/RS485 Switch Automatically).	Display Resolution	320x240
Touch Screen	4 Line Resistance	Back Light	CCFL
Sound Output	Buzzer	Brightness Adjust	Digital (0-100)
Electric Specification		Contrast Adjust	Digital (0-100)
Anti-static electricity	Contact Discharge: -6KV~+6KV (IEC61000-4-2 Level 3) Non-contact Discharge: -15KV~+15KV (IEC61000-4-2 Level 4)	Environment	
Voltage	DC 24V±10%	Working Temperature	0℃~45℃
Power	Under 10W	Storage Temperature	-20℃~60℃
Outline Dimension		Humidity	20 ~85%RH (No Solidify)
External Dimension (mm)	203.2X152.4X50.8	Vibration Endurance	10Hz~25Hz(Directions of X,Y,Z last 30 mins for 0.5mm)
Cut-out Dimension (mm)	191.4X140.6	Waterproof Level of Front Panel	IP5/NEMA4
Weight	0.75kg	Cooling Method	Air Convection Cooling



Mounting Dimension



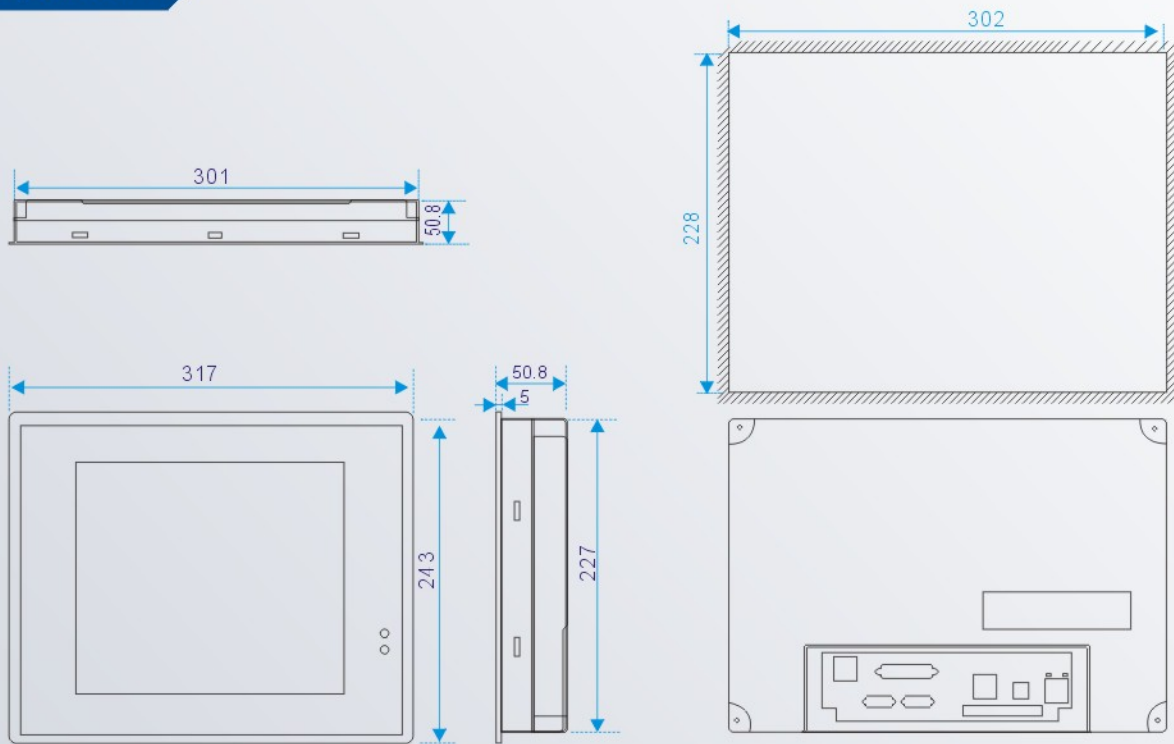
Unit: mm

Specification	
CPU Type	32 Bits RISC 66MHz
Memory(Planned/All)	1536K / 2048K
Perpetual Calendar	Built-in (Rechargeable Lithium Battery)
Communication Modbus	COM1(RS232/RS422/RS485 Switch Automatically). COM2(RS232/RS422/RS485 Switch Automatically).
Touch Screen	4 Line Resistance
Sound Output	Buzzer
Electric Specification	
Anti-static electricity	Contact Discharge: -6KV~+6KV (IEC61000-4-2 Level 3) Non-contact Discharge: -15KV~+15KV (IEC61000-4-2 Level 4)
Voltage	DC 24V±10%
Power	Under 10W
Outline Dimension	
External Dimension (mm)	203.2X152.4X50.8
Cut-out Dimension (mm)	191.4X140.6
Weight	0.75kg

Display Device	
Display Type	Color STN
Screen	5.7 inches
Display Colors	256 colors
Display Resolution	320x240
Back Light	CCFL
Brightness Adjust	Digital (0-100)
Contrast Adjust	Digital (0-100)
Environment	
Working Temperature	0℃~45℃
Storage Temperature	-20℃~60℃
Humidity	20~85%RH (No Solidify)
Vibration Endurance	10Hz~25Hz(Directions of X,Y,Z last 30 mins for 0.5mm)
Waterproof Level of Front Panel	IP5/NEMA4
Cooling Method	Air Convection Cooling



Mounting Dimension

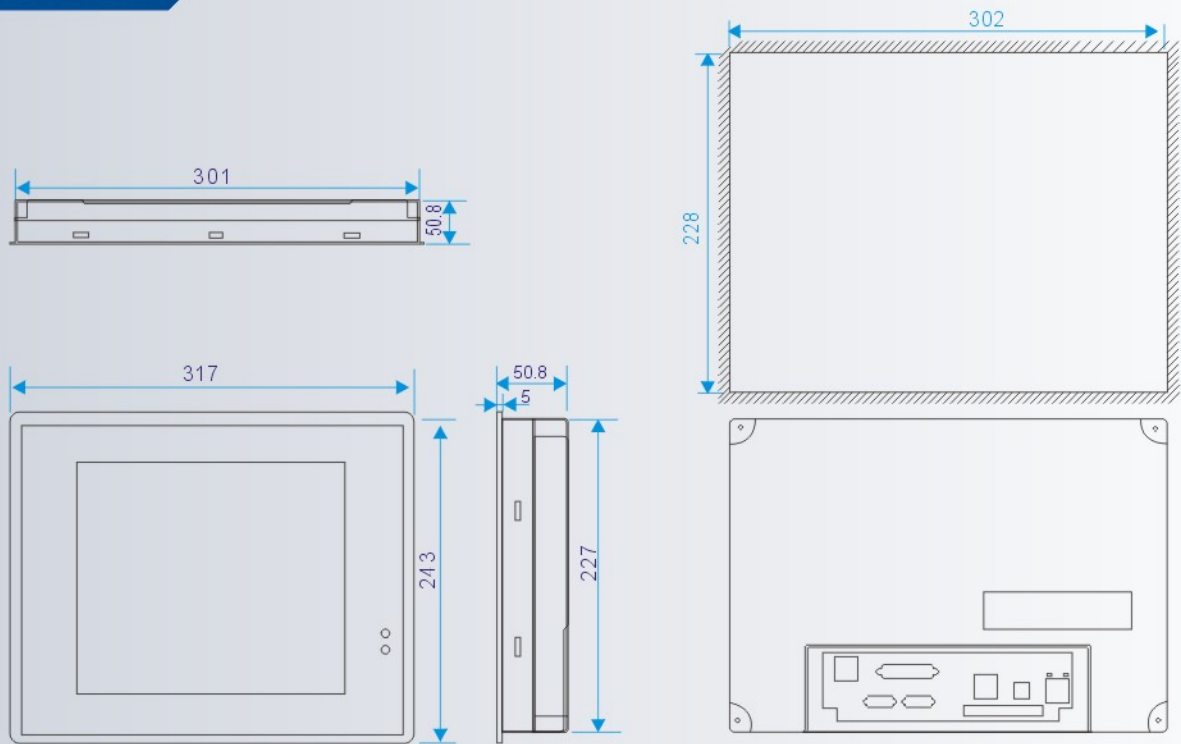


Unit: mm

Specification		Display Device	
CPU Type	32 Bits RISC 200MHz	Display Type	TFT
Memory(Planned/All)	7680K/8192K	Screen	5.6 inches
Perpetual Calendar	Built-in (Rechargeable Lithium Battery)	Display Colors	65536 colors
Communication Modbus	COM1(RS232/RS422/RS485 Switch Automatically). COM2(RS232/RS422/RS485 Switch Automatically).	Display Resolution	320 x 234
Touch Screen	4 Line Resistance	Back Light	CCFL
Sound Output	Buzzer	Brightness Adjust	Digital (0-100)
Electric Specification		Contrast Adjust	Auto
Anti-static electricity	Contact Discharge: -6KV~+6KV (IEC61000-4-2 Level 3) Non-contact Discharge: -15KV~+15KV (IEC61000-4-2 Level 4)	Environment	
Voltage	DC 24V±10%	Working Temperature	0℃~45℃
Power	Under 10W	Storage Temperature	-20℃~60℃
Outline Dimension		Humidity	20 ~85%RH (No Solidify)
External Dimension (mm)	203.2x152.4x50.8	Vibration Endurance	10Hz~25Hz(Directions of X, Y, Z last 30 mins for 0.5mm)
Cut-out Dimension (mm)	191.4x140.6	Waterproof Level of Front Panel	IP5/NEMA4
Weight	0.75kg	Cooling Method	Air Convection Cooling



Mounting Dimension

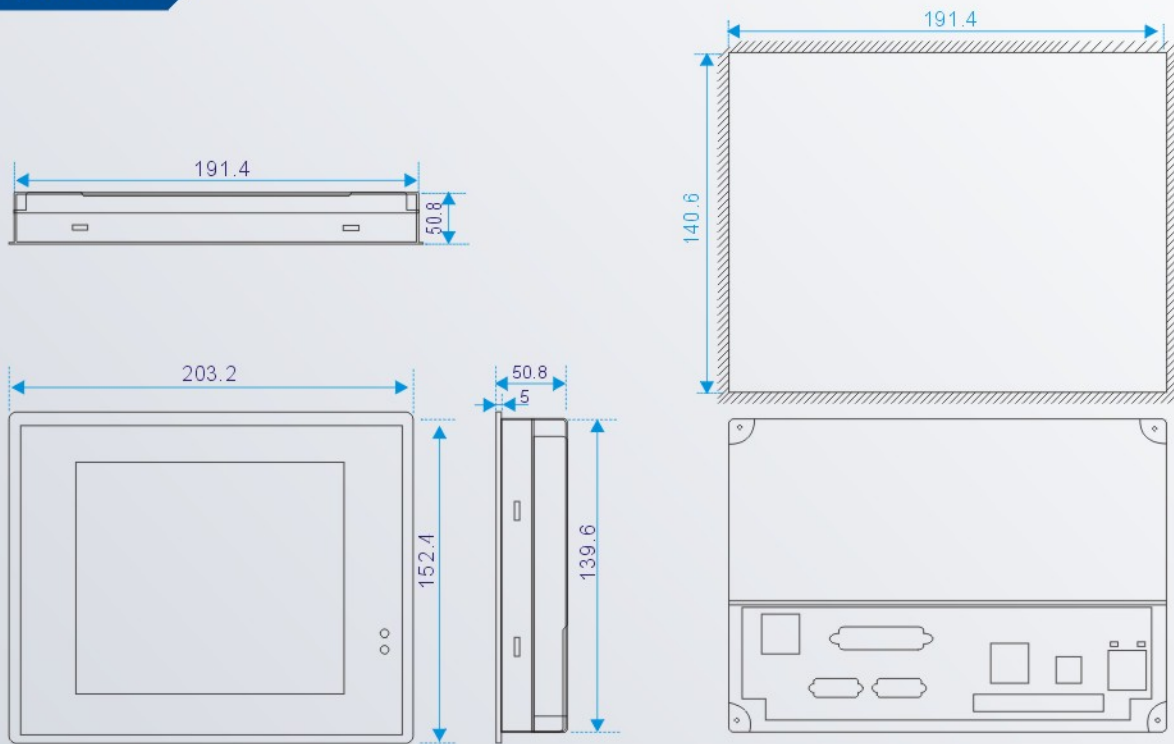


Unit: mm

Specification		Display Device	
CPU Type	32 Bits RISC 200MHz	Display Type	TFT
Memory(Planned/All)	7680K / 8192K	Screen	5.7 inches
Perpetual Calendar	Built-in (Rechargeable Lithium Battery)	Display Colors	65536 Colors
Communication Modbus	COM1(RS232/RS422/RS485 Switch Automatically). COM2(RS232/RS422/RS485 Switch Automatically).	Display Resolution	640 x 480
Touch Screen	4 Line Resistance	Back Light	LED
Sound Output	Buzzer	Brightness Adjust	Digital (0-100)
Electric Specification		Contrast Adjust	Auto
Anti-static electricity	Contact Discharge: -6KV~+6KV (IEC61000-4-2 Level 3) Non-contact Discharge: -15KV~+15KV (IEC61000-4-2 Level 4)	Environment	
Voltage	DC 24V±10%	Working Temperature	0℃~45℃
Power	Under 10W	Storage Temperature	-20℃~60℃
Outline Dimension		Humidity	20~85%RH (No Solidify)
External Dimension (mm)	203.2x152.4x50.8	Vibration Endurance	10Hz~25Hz(Directions of X,Y,Z last 30 mins for 0.5mm)
Cut-out Dimension (mm)	191.4x140.6	Waterproof Level of Front Panel	IP5/NEMA4
Weight	0.75kg	Cooling Method	Air Convection Cooling



Mounting Dimension

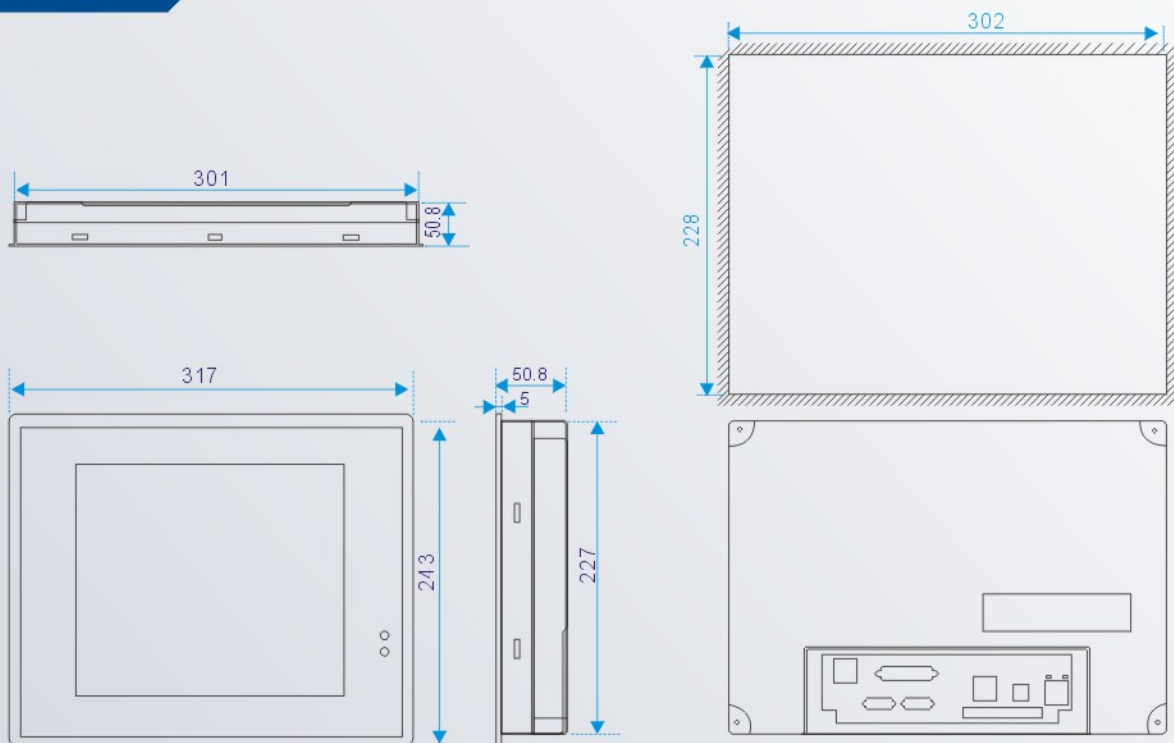


Unit: mm

Specification		Display Device	
CPU Type	32 Bits RISC 200MHz	Display Type	TFT
Memory(Planned/All)	7680K/8192K	Screen	7.0 inches
Perpetual Calendar	Built-in (Rechargeable Lithium Battery)	Display Colors	65536 colors
Communication Modbus	COM1(RS232/RS422/RS485 Switch Automatically). COM2(RS232/RS422/RS485 Switch Automatically).	Display Resolution	800 x 480
Touch Screen	4 Line Resistance	Back Light	LED
Sound Output	Buzzer	Brightness Adjust	Digital (0-100)
Electric Specification		Contrast Adjust	Auto
Anti-static electricity	Contact Discharge: -6KV~+6KV (IEC61000-4-2 Level 3) Non-contact Discharge: -15KV~+15KV (IEC61000-4-2 Level 4)	Environment	
Voltage	DC 24V±10%	Working Temperature	0℃~45℃
Power	Under 10W	Storage Temperature	-20℃~60℃
Outline Dimension		Humidity	20~85%RH (No Solidify)
External Dimension (mm)	203.2x152.4x50.8	Vibration Endurance	10Hz~25Hz(Directions of X, Y, Z last 30 mins for 0.5mm)
Cut-out Dimension (mm)	191.4x140.6	Waterproof Level of Front Panel	IP5/NEMA4
Weight	0.75kg	Cooling Method	Air Convection Cooling



Mounting Dimension

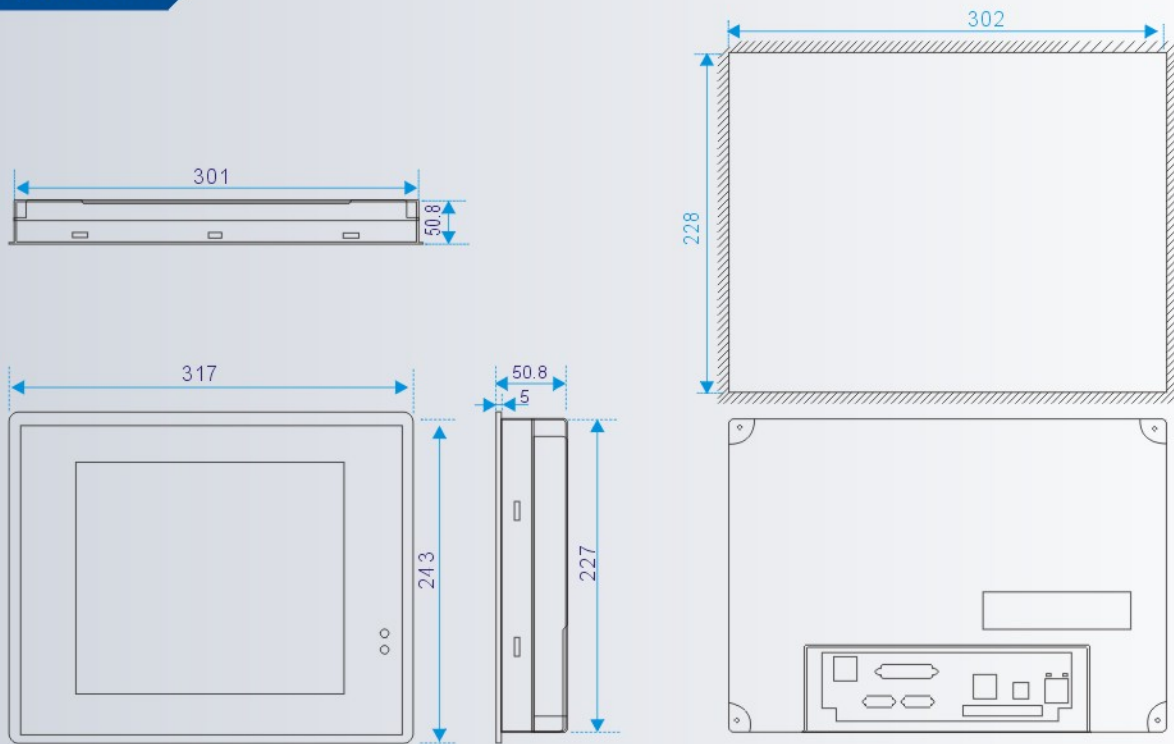


Unit: mm

Specification		Display Device	
CPU Type	32 Bits RISC 200MHz	Display Type	STN
Memory(Planned/All)	7680K / 8192K	Screen	9.4inches
Perpetual Calendar	Built-in (Rechargeable Lithium Battery)	Display Colors	16 shades of gray
Communication Modbus	COM1(RS232/RS422/RS485 Switch Automatically). COM2(RS232/RS422/RS485 Switch Automatically).	Display Resolution	640 x 480
Touch Screen	4 Line Resistance	Back Light	CCFL
Sound Output	Buzzer	Brightness Adjust	Digital (0-100)
Electric Specification		Contrast Adjust	Digital (0-100)
Anti-static electricity	Contact Discharge: -6KV~+6KV (IEC61000-4-2 Level 3) Non-contact Discharge: -15KV~+15KV (IEC61000-4-2 Level 4)	Environment	
Voltage	DC 24V±10%	Working Temperature	0℃~45℃
Power	Under 15W	Storage Temperature	-20℃~60℃
Outline Dimension		Humidity	20 ~ 85%RH (No Solidify)
External Dimension (mm)	317X243X50.8	Vibration Endurance	10Hz~25Hz(Directions of X, Y, Z last 30 mins for 0.5mm)
Cut-out Dimension (mm)	302X228	Waterproof Level of Front Panel	IP5/NEMA4
Weight	1.82kg	Cooling Method	Air Convection Cooling



Mounting Dimension



Unit: mm

Specification

CPU Type	32 Bits RISC 200MHz
Memory(Planned/All)	7680K / 8192K
Perpetual Calendar	Built-in (Rechargeable Lithium Battery)
Communication Modbus	COM1(RS232/RS422/RS485 Switch Automatically). COM2(RS232/RS422/RS485 Switch Automatically).
Touch Screen	4 Line Resistance
Sound Output	Buzzer

Electric Specification

Anti-static electricity	Contact Discharge: -6KV~+6KV (IEC61000-4-2 Level 3) Non-contact Discharge: -15KV~+15KV (IEC61000-4-2 Level 4)
Voltage	DC 24V±10%
Power	Under 15W

Outline Dimension

External Dimension (mm)	317X243X50.8
Cut-out Dimension (mm)	302X228
Weight	1.82kg

Display Device

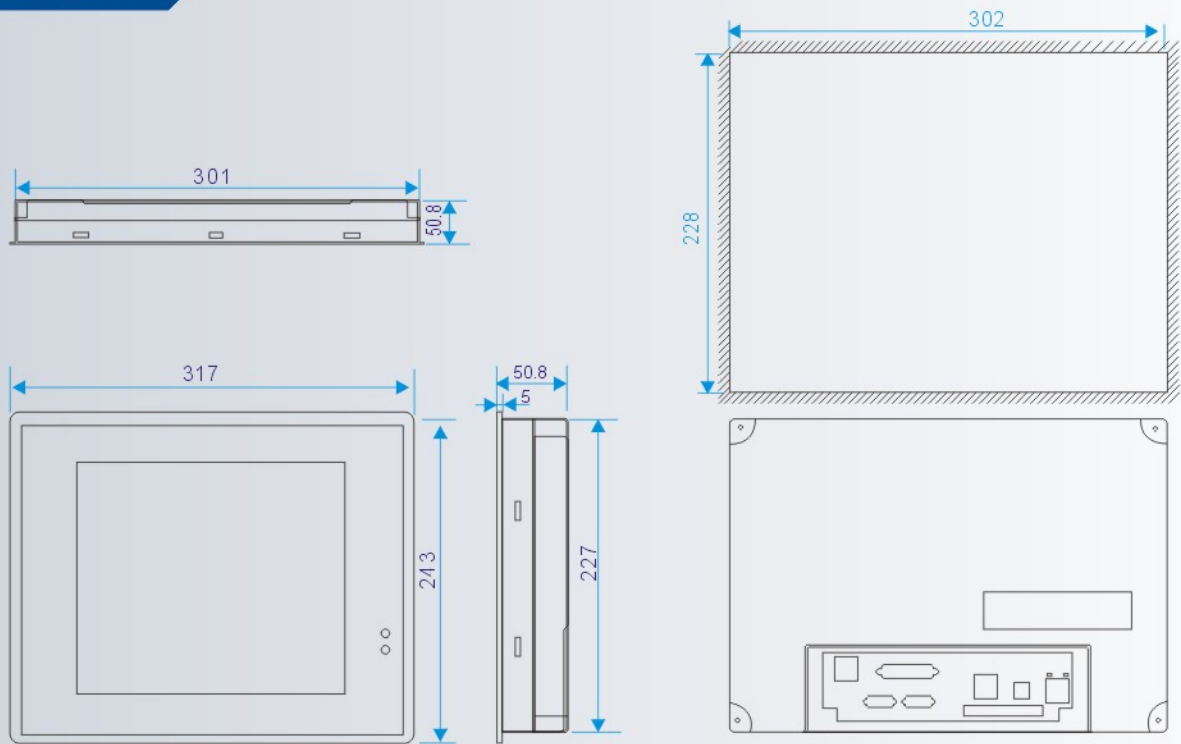
Display Type	TFT
Screen	10.4inches
Display Colors	65536 Colors
Display Resolution	640 x 480
Back Light	CCFL
Brightness Adjust	Digital (0-100)
Contrast Adjust	Auto

Environment

Working Temperature	0℃~45℃
Storage Temperature	-20℃~60℃
Humidity	20 ~ 85%RH (No Solidify)
Vibration Endurance	10Hz~25Hz(Directions of X, Y, Z last 30 mins for 0.5mm)
Waterproof Level of Front Panel	IP5/NEMA4
Cooling Method	Air Convection Cooling



Mounting Dimension



Unit: mm

Specification

CPU Type	32 Bits RISC 200MHz
Memory(Planned/All)	7680K / 8192K
Perpetual Calendar	Built-in (Rechargeable Lithium Battery)
Communication Modbus	COM1(RS232/RS422/RS485 Switch Automatically). COM2(RS232/RS422/RS485 Switch Automatically).
Touch Screen	4 Line Resistance
Sound Output	Buzzer

Electric Specification

Anti-static electricity	Contact Discharge: -6KV~+6KV (IEC61000-4-2 Level 3) Non-contact Discharge: -15KV~+15KV (IEC61000-4-2 Level 4)
Voltage	DC 24V±10%
Power	Under 20W

Outline Dimension

External Dimension (mm)	317X243X50.8
Cut-out Dimension (mm)	302X228
Weight	2.3kg

Display Device

Display Type	TFT
Screen	12.1 inches
Display Colors	65536 Colors
Display Resolution	800 x 600
Back Light	CCFL
Brightness Adjust	Digital (0-100)
Contrast Adjust	Auto

Environment

Working Temperature	0℃~45℃
Storage Temperature	-20℃~60℃
Humidity	20~85%RH (No Solidify)
Vibration Endurance	10Hz~25Hz(Directions of X,Y,Z last 30 mins for 0.5mm)
Waterproof Level of Front Panel	IP5/NEMA4
Cooling Method	Air Convection Cooling

SP Series Connectable Controllers

Company	Model	Company	Model
A&D	AD-4401 via RS232	MODBUS ASCII Mode	Modbus Controller Series
Allen-Bradley	DH-485		Modbus Controller Series(5 digit)
ARCUS	PMX-4EX-SA		DELTA Temperature Controller Series
	ACE-SDE	MODBUS RTU Mode	Modbus Controller Series
	DMX-K-SA		Modbus Controller Series(5 digit)
CSIM	CSBL700 Series		Facon Controller Series
DELTA	DVP ES/EX/SS Series		Mirle nDX Series
	DVP SA/SX/SH Series		Mirle SDPLC Series
	DVP EH Series		Mirle MA3DR Series
FATEK	FB Series		Mirle MA3DR.NC Series
	FBS Series		YAMATAKE SDC35/36 Series
Mirle	Fama Controller Series		Emerson EC20/EC10 Series
	SIO-AD030(AD031)		DELTA Temperature Controller Series
	SIO-ZDC10	Omron	C Series
	SIO-ZRY10		CV Series
Fuji Electric	MICREX-SX Series		CJ1G/H Series
Jing Yi	Jing Yi elevator Series		CJ1M Series
Keyence	KV Series		CP1H Series
Koyo	Koyo DL Series	Phoenixtec	Phoenixtec UPS Series
LG	K120S Series	SIEMENS	Simatic S7-200 Series
Lust Antrie Bstechnik	CDD3000 Series	Animatics	SmartMotor Series
Matsushita	FPO Series	TAIE	FY Series
Mitsubishi	A1SH Series	TECORP	HC1-A Series
	FX Series		HC1-C Series
	FX1S Series	TOHO	TTM-004/X04
	FX2N Series	TRIO	MC206X Series
	FX2N-10GM20GM Series	Unidriver	Ud71 Series
	FX3U Series	VIGOR	M/VB Series
	Q Series	WDH	WDH IR-BOX
			WDH Lamp-BOX
		XP989	XP989

TECORP TECHNOLOGY

Head Quarter

3F-3, No.12, Lane 609, Sec.5 Chung Hsin Rd.
San Chung, Taipei Conty Taiwan. R.O.C.
TEL: +886-2-29991466
FAX: +886-2-29999916
Http://www.tecorp-group.com.tw
E-mail: tecorp@ms11.hinet.net

Factory

Building E1, Kejiqiangyeyuanqu, Yanbei Rd.,
Wuyuan Town, Haiyan, Jiaxing, Zhejiang.
TEL: +86-573-8616 1340
FAX: +86-573-8616 1344
E-mail: anshte@ms42.hinet.net

Agent



TECORP
www.tecorp-group.com.tw